

# Manual Supplement

Manual Title: 724 Users  
Print Date: February 2000  
Revision/Date:

Supplement Issue: **6**  
Issue Date: 10/02  
Page Count: 5

---

---

This supplement contains information necessary to ensure the accuracy of the above manual.

## Change #1

On page 12, Table 4, add the following Key Functions:

① ⑬	① ④	Disables Shut Down Mode
① ⑬	① ⑤	Enables Shut Down Mode

On page 14, under Getting Started add the following after step 7:

### *Shut Down Mode*

The calibrator comes with the Shut Down Mode enabled for a time duration set to 30 minutes (displayed for about 1 second when the calibrator is initially turned on). When the Shut Down mode is enabled, the calibrator will automatically shut down after the time duration has elapsed from the time the last key was pressed. To disable the shut down mode, press ③ and ④ simultaneously. To enable the mode, press ③ and ⑤ simultaneously. To adjust the time duration, press ③ and ⑥ simultaneously, then press ⬆ and ⬇ to adjust the time between 1 and 30 minutes.

## Change #2

On page 3, under **Standard Equipment**, add the following:

- Spare Fuse

On page 34, replace Figure 16 and add the following text:

## ***Replacing the Fuses***

The calibrator comes equipped with one 0.05A 250V socketed fuses to protect the calibrator.

### **⚠Warning**

**To avoid electrical shock, remove the tests leads from the calibrator before opening the battery door. Close and latch the battery door before using the calibrator.**

The fuses can be removed and checked for resistance. A value of  $< 10 \Omega$  is good. Problems while measuring using the right jacks indicate that F3 may have opened. To replace the fuses, refer to Figure 22 and perform the following steps:

1. Turn the calibrator off, remove the test leads from the terminals, and hold the calibrator face down.
2. Using a flat-blade screwdriver, turn the battery door screws 1/4-turn counterclockwise and remove the battery door.
3. Remove and replace the damaged fuse.
4. Replace the battery door and secure it by turning the screws 1/4-turn clockwise.

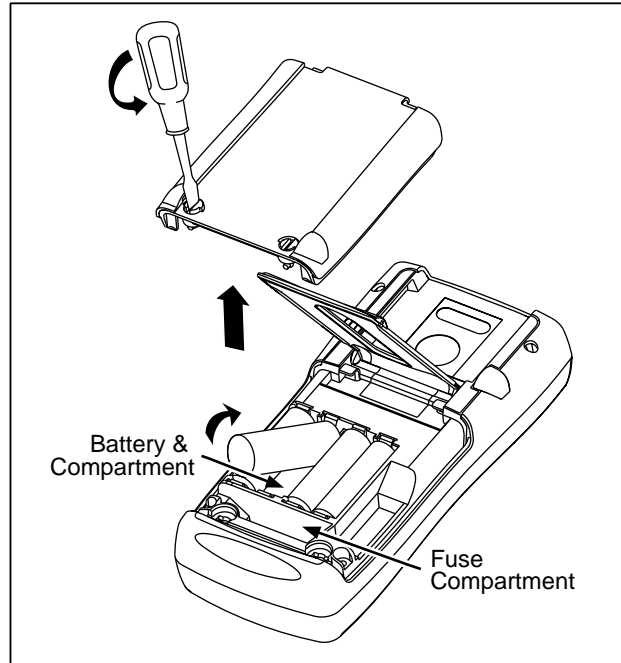


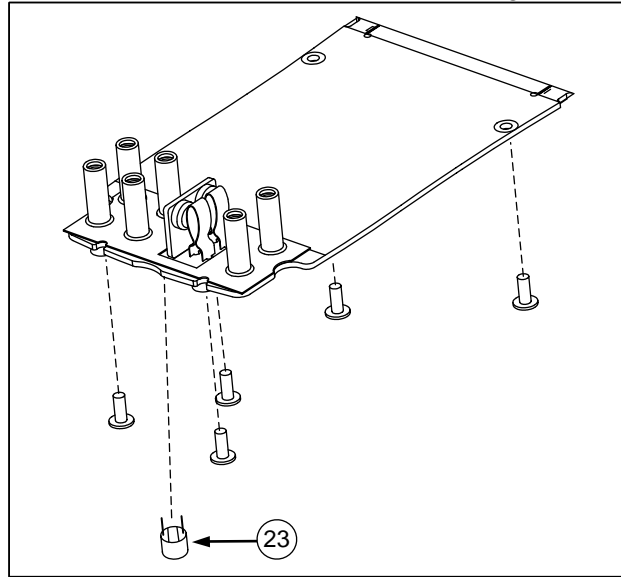
Figure 16.

sh38\_1.eps

On page 30, add the following to Table 7:

23	Fuse 0.05A/250V (5 Pack)	1593766	1
----	--------------------------	---------	---

On page 37, Figure 17, add the view of the fuses as shown in Figure A.




**Figure A.**

figure\_a.eps

## Change #3

On page 37, under Storing and Recalling Setups, replace step 3 with the following:

3. Press . Only the stored memory location will be displayed. The setup is stored.

## Change #4

On page 26, under Simulating RTDs, add step 4 as follows:

4. If the 724 display indicates ExI HI the excitation current from your device under test exceeds the limits of the 724.

## Change #5

On page 38, under *Specifications*, replace the first sentence with the following:

Specifications are based on a one year calibration cycle and apply from +18 °C to +28 °C unless stated otherwise.